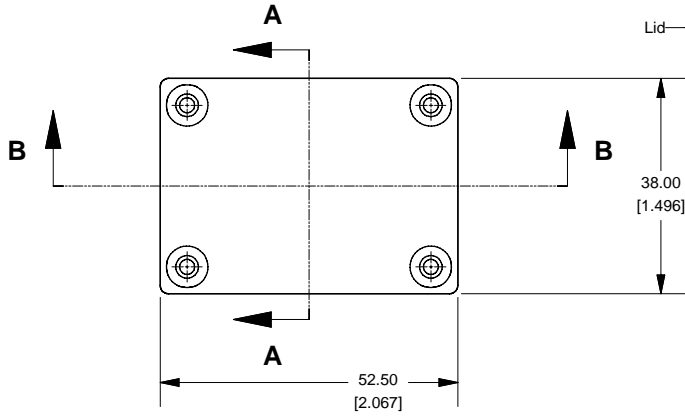
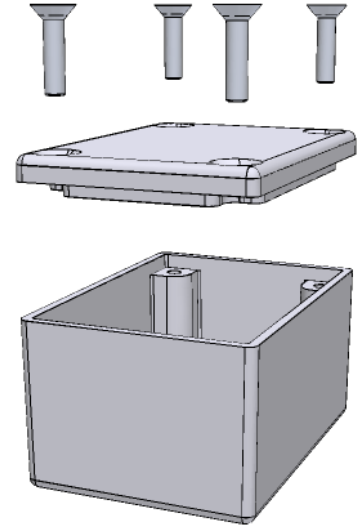
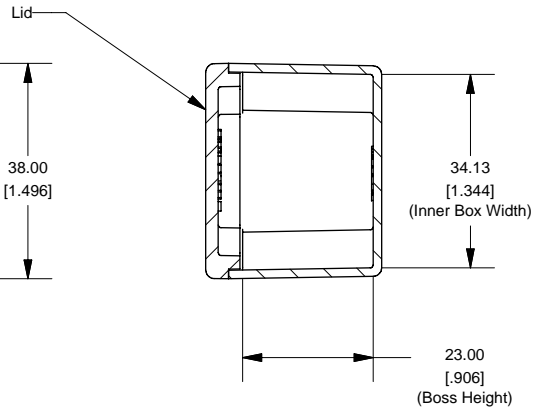


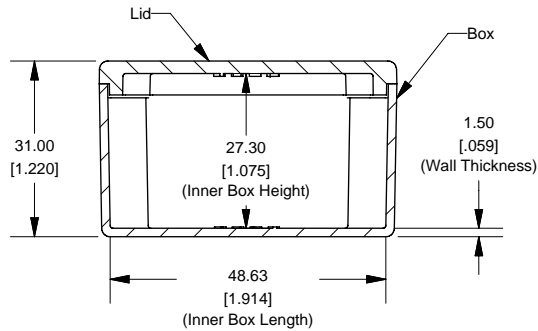
Top View of Assembly



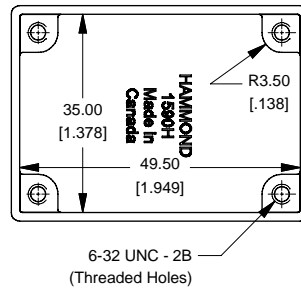
SECTION A-A End View of Assembly



SECTION B-B Side View of Assembly



Top View Looking Inside Box



Enclosures can be Factory Modified (Milling, Drilling, Printing etc.)
 Contact Factory mjm@hammondmfg.com for quotes
 Solid models of this enclosure available in STEP or IGES.

NOTE

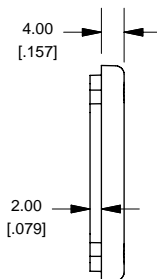
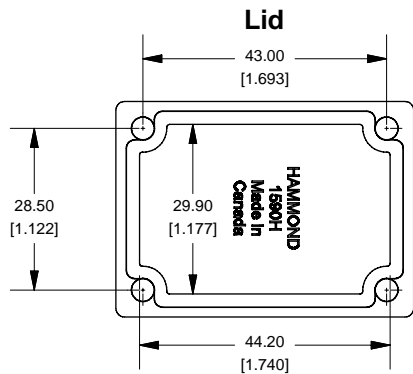
Purchased assembly includes box, lid and 4 cover screws.
 Box and lid are made from Diecast Aluminum Alloy (alloy type 380).
 Silicone Gasket Loctite #5950

PART NUMBERS

| 1590H Enclosure | |
|---|----------|
| Unfinished | 1590H |
| Grey Textured Polyester Powder Paint - RAL 7038 | 1590HGY |
| Black Textured Polyester Powder Paint - RAL 9011 | 1590HBK |
| 1590H Liquid Resistant Enclosure (Silicon Factory Installed Gasket) | |
| Unfinished | 1590WH |
| Black Textured Powder Paint | 1590WHBK |

ACCESSORIES

| Recommended Torque: 75 ozf.in / 55 cN.m | |
|---|--------------|
| Black Textured Cover Screws (Pkg 50) [6-32 x 1/2" SS Type 304] | 1590WMS100BK |
| Unfinished Cover Screws (Pkg 100) [6-32 x 1/2" Nickel Plated Screws] | 1590WMS100 |
| Standard Cover Screws | |
| Unfinished Cover Screws (Pkg 100) [6-32 x 1/2" Nickel Plated Screws] | 1590MS100 |
| Black Textured Cover Screws (Pkg 50) [6-32 x 1/2" SS Type 304] | 1590MS100BK |



**HAMMOND
MANUFACTURING™**

1590H

www.hammondmfg.com